



CORDOBA 15P
15" PROFESSIONAL PASSIVE SPEAKER

- 15" Woofer + 1.75" driver
- Frequency response (Hz) 65 - 18,000 Hz
- 150 W max SPL
- High power handboxes

DESIGNED IN SPAIN

2400
WATTS PEAK




CORDOBA 15P

User manual

Precautions

Please read, keep and follow all safety and use instructions.

Important Safety Instructions.

1. Heed all warnings.
2. Do not overload the box to avoid damage to the speakers.
3. Do not use this product near water. If the box is used outdoors, make sure that no humidity can enter the box.
4. Clean only with a dry cloth.
5. Do not block any ventilation openings. Install in accordance with the manufacturer's instructions.
6. Do not install near any heat sources such as radiators, heat registers, stoves or similar (including amplifiers).
7. Do not defeat the safety purpose of the polarized or grounding-type plug. A polarized plug has two blades with one wider than the other. A grounding-type plug has two blades and a third grounding prong. The wider blade or third prong is provided for your safety. If the provided plug does not fit in your outlet, consult an electrician for replacement of the obsolete outlet.
8. Protect the power cord from being walked on or pinched, particularly at plugs, convenience receptacles, and the point where it exits from this product.
9. Only use attachments/accessories specified by the manufacturer.
-  10. Use only with the cart, stand, tripod, bracket or table specified by the manufacturer or sold with the product. When a cart is used, use caution when moving the cart/product combination to avoid injury from tip-over.

11. Unplug this product during lightning storms or when unused for long periods of time.

12. Refer all servicing to qualified personnel. Servicing is required when the product has been damaged in any way such as power-supply cord or plug is damaged, liquid has been spilled or objects have fallen into the product, the product has been exposed to rain or moisture, does not operate normally, or has been dropped.

WARNINGS / CAUTIONS:



This symbol on the product means there is uninsulated, dangerous voltage within the product enclosure that may present a risk of electrical shock.



This symbol on the product means there are important operating and maintenance instructions in this guide.



This product contains magnetic material. Consult your doctor on whether this might affect your implantable medical device.



Contains small parts which may be a choking hazard. Not suitable for children under age 3.

CORDOBA 15 P is a passive multipurpose system with 600 W RMS, composed by one woofer of 15" and one compression driver of 1.75".



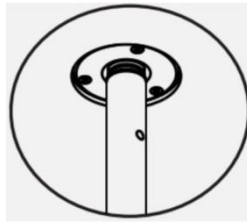
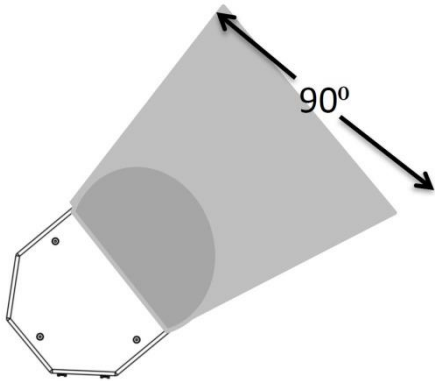
Extremely versatile, it can be used as conventional PA or reinforcement system, wall and ceiling installation, or as stage monitor.



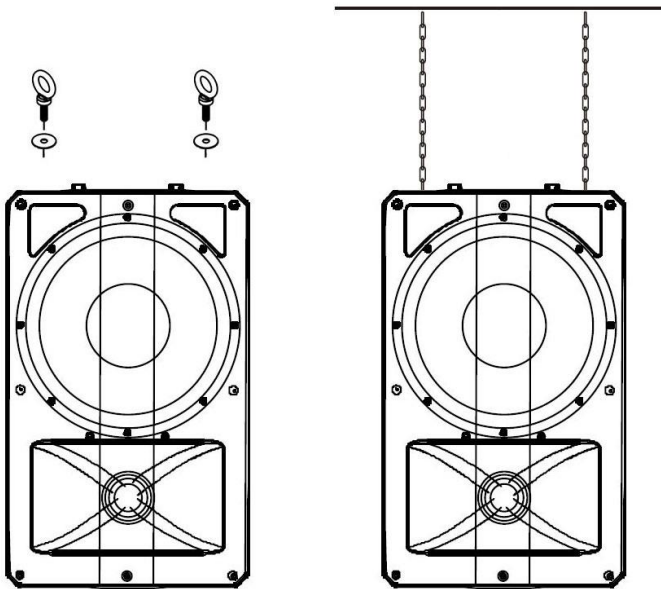
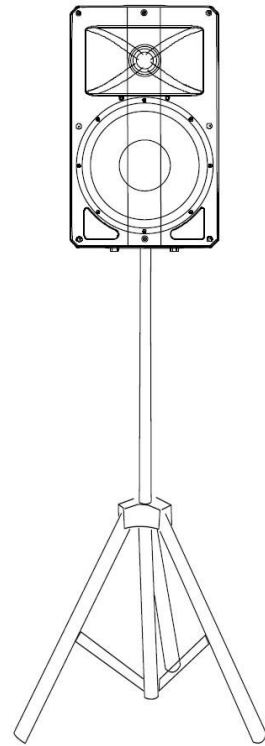
Ideal for small band, orchestra, corporate events, as well as for holding events in houses of worship and leisure places, thanks to its flexibility of use.

Easy to transport thanks to its ergonomic design, its modern appearance offers a pleasant visual impact.

Installation examples.

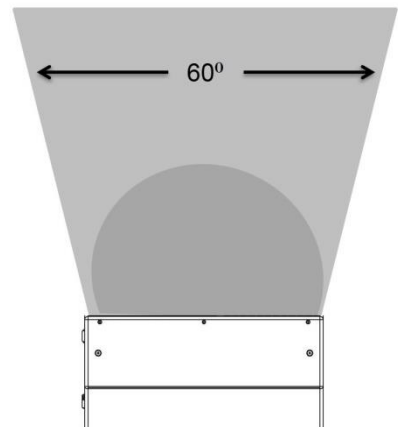
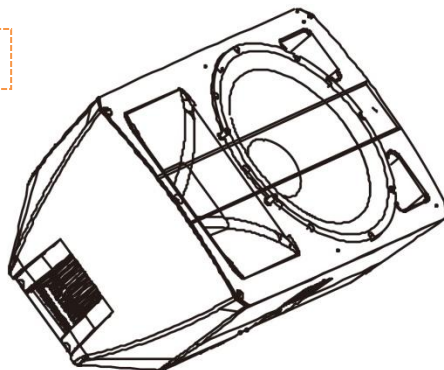


On tripod

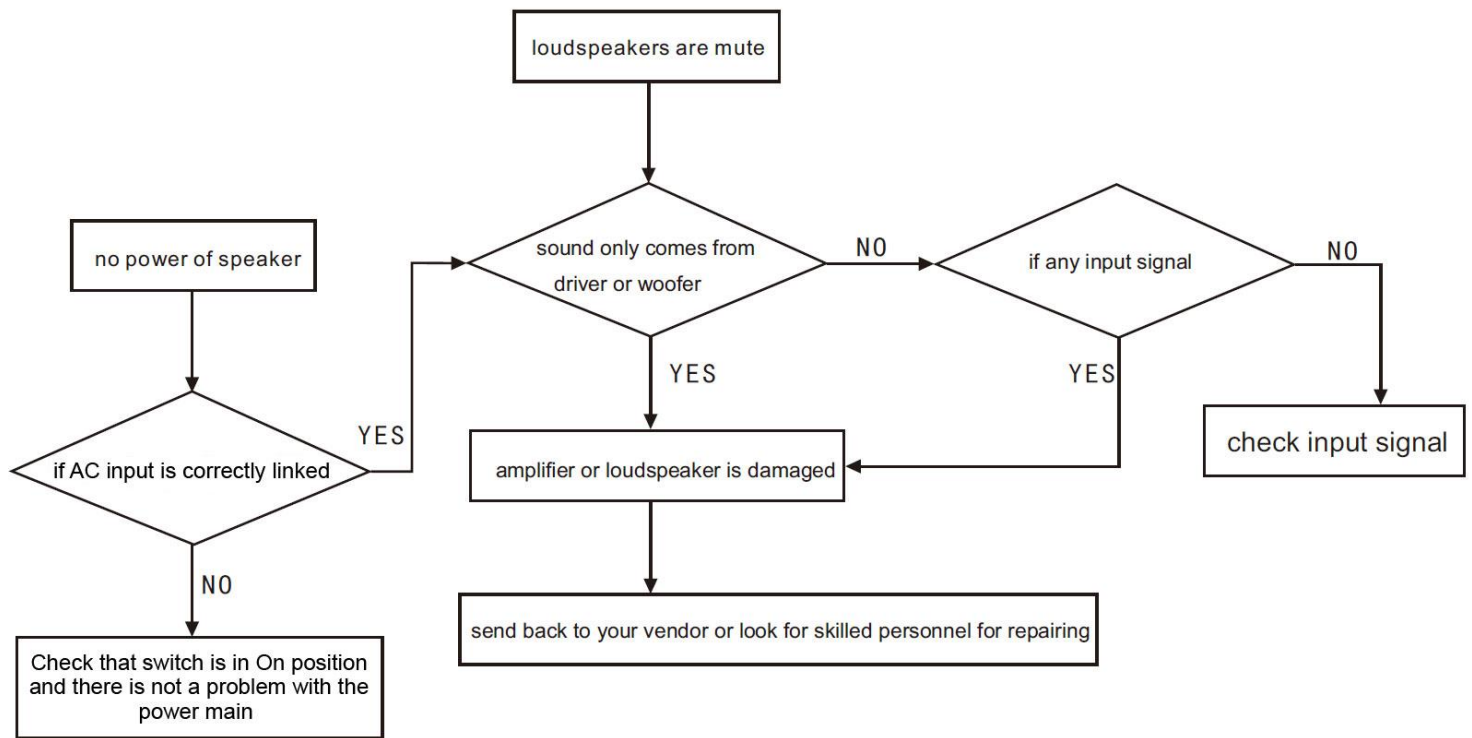


Wall or ceiling (rigging points at the bottom of the system)

Stage monitor



What to do against possible problems.



Technical datasheet.

CORDOBA 15 P	
Power handling	2400 W peak / 1200 W program / 600 W RMS.
Max SPL calculation	1m / 124 dB continuous / 127 dB program / 130 dB peak.
Frequency range	45 - 18000 Hz.
Dispersion angle	90°x60°.
Components	Woofer of 15" + compression driver of 1.75"
Connectors	2 x Speakon NL4 MP.
Rigging points	2 x M8 (located at the bottom)
Dimensions (Height x Width x Depth)	695 x 420 x 380 mm (27,36 x 16,53 x 14,96 in)
Weight	19 Kg (41,89 lbs) net / 20,5 Kg (45,19 lbs) with packaging





CORDOBA 15P

PRO DG SYSTEMS INTERNATIONAL

P.I. Santa Bárbara. C/ Aceituneros nº 5.
41580 Casariche (Sevilla), Spain
Tel: +34 954 011 095
Cel: +34 678 548 947
export@prodgsystems.com
info@prodgsystems.com
www.prodgsystems.com

PRO DG SYSTEMS AMERICA

1225 NW 93rd CT
Doral, FL, 33172
Español: (786)-715-4705
English: (786) 314-1856
sales@prodgamerica.com
www.prodgamerica.com